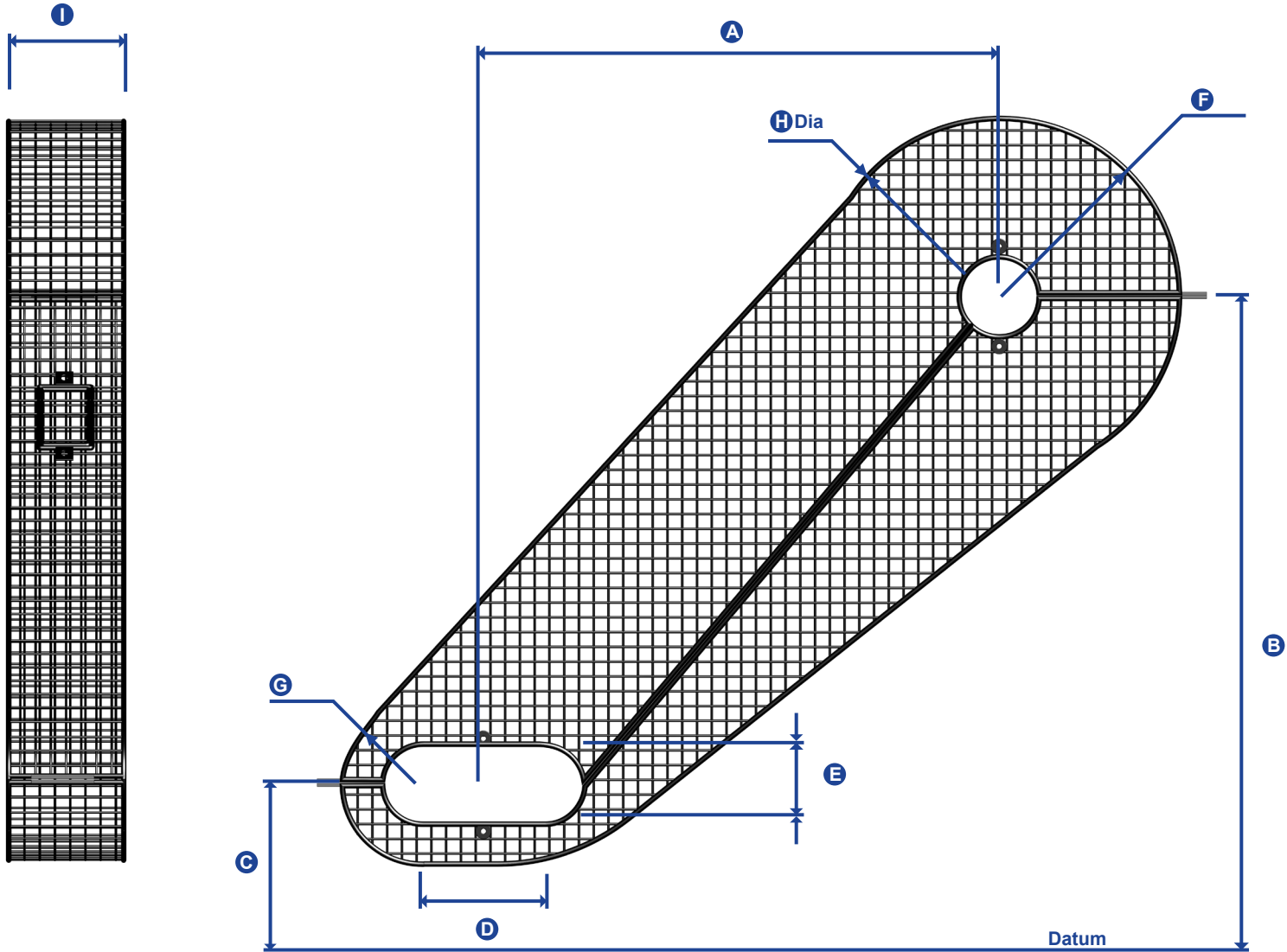


Universal Drive Guard

Company:
Address:

Tel:
Fax:
Email:



Model No	Label	Qty	A	B	C	D	E	F	G	H	I

Manufacturers of wire mesh products



www.ampwire.co.uk
info@ampwire.co.uk
Tel 0161 620 7250
Fax 0161 620 7251

Please note that these are actual examples of products manufactured or designs owned by AMP Wire, Radcovers and Divers Accessories Ltd. Images are copyright of AMP Wire Ltd, AMP Wire acknowledges that the trademarks of third parties used in these remain property of their respective owners. These images may only be reproduced for use in connection with marketing of AMP Wire, Radcovers and Divers Accessories Ltd products and with acknowledgment that trademarks remain the property of their respective owner. Use of any images or technical drawings must have written approval from AMP Wire, Radcovers or Divers Accessories Ltd.